

Aline 70

PENDANT



SPECIFICATION SHEET

Aline 70



Model 1550

Type
P Pendant

Size

| | |
|--------|----------------|
| 48 | 49.1" [1246mm] |
| 60 | 60.9" [1547mm] |
| 72 | 72.8" [1848mm] |
| 84 | 84.6" [2149mm] |
| Custom | |

Wattage ^{1,2}

| Direct | Indirect ³ |
|-----------------|-----------------------|
| 48" | |
| LD 12W (1600lm) | LI 12W (1600lm) |
| MD 24W (2970lm) | MI 24W (2970lm) |
| 60" | |
| LD 15W (2000lm) | LI 15W (2000lm) |
| MD 30W (3715lm) | MI 30W (3715lm) |
| 72" | |
| LD 18W (2400lm) | LI 18W (2400lm) |
| MD 36W (4460lm) | MI 36W (4460lm) |
| 84" | |
| LD 21W (2800lm) | LI 21W (2800lm) |
| MD 42W (5200lm) | MI 42W (5200lm) |
| | XI - No Indirect |

Color Temp ⁴

| | |
|----|------|
| 30 | 3000 |
| 35 | 3500 |
| 40 | 4000 |

Voltage

| | |
|---|--|
| U | 120/277 Volt |
| 1 | 120 Volt (DFPN only - see section Control) |

Driver

RD Remote

Control - RD

| | |
|-------|----------------------------------|
| S | Non-dim |
| D010 | 0-10V 10% |
| DFPN | Lutron Forward Phase 1% 120 Volt |
| L3DAE | Lutron Hi-lume 1% EcoSystem |
| L3DOE | Hi-lume Premier 0.1% EcoSystem |

Diffuser Bottom

SW Satin opal acrylic

Diffuser Top

| | |
|----|---|
| SA | Satin clear acrylic |
| CT | Aluminum - painted to match the fixture |

Finish ⁵

| | |
|----|--------------------------------|
| 16 | Clear anodized aluminum |
| 21 | Painted white - RAL 9010 matte |
| 26 | Painted black - RAL 9005 matte |
| 22 | Painted custom color |

Mounting

SC Straight cables

Circuit

| | |
|----|------------------|
| CS | Circuit - Single |
| CD | Circuit - Dual |

Power Cable ⁶

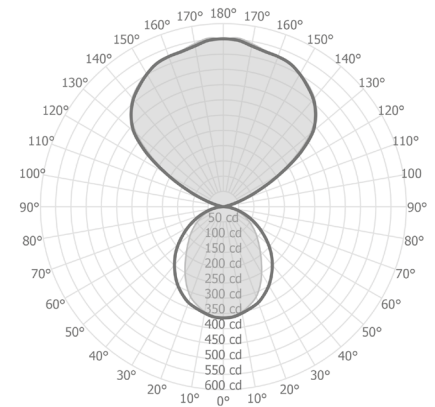
| | |
|----|----------------------------------|
| CC | Clear insulated cable (standard) |
| WC | White cable |
| BC | Black cable |

Notes

- 1 Nominal lumens value specified
- 2 Linear LED board, constant voltage 24 Volt
- 3 For no indirect light specify XI
- 4 90+ CRI standard
- 5 Canopy finish matches housing
For Clear anodized aluminum finish, canopy finish will be painted anodized aluminum
- 6 96" standard cable length

Example fixture number:

1550 - P - 48 - LD - LI - 30 - U - RD - S - SW - SA - 16 - SC - CS - CC



Aline 70

PENDANT

The clean line of the Aline 70 makes it suitable for use in any modern environment.

Aline 70 is available in pendant and surface versions with evenly illuminated satin opal lens. In various sizes and with different light sources, it is suitable for conference rooms or larger spaces when used in multiple configurations.



| Size | |
|--------|----------------|
| 48 | 49.1" [1246mm] |
| 60 | 60.9" [1547mm] |
| 72 | 72.8" [1848mm] |
| 84 | 84.6" [2149mm] |
| Custom | |



* 70mm x 70mm fixture body profile
* Continuous fixture with hairline fixture segments connection

Aline 70

PENDANT



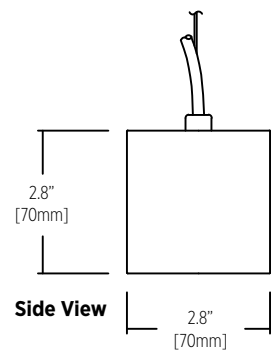
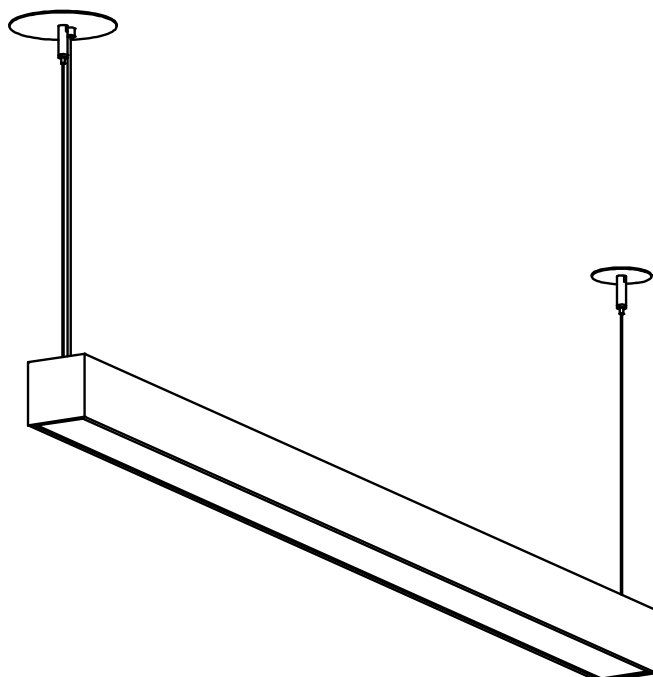
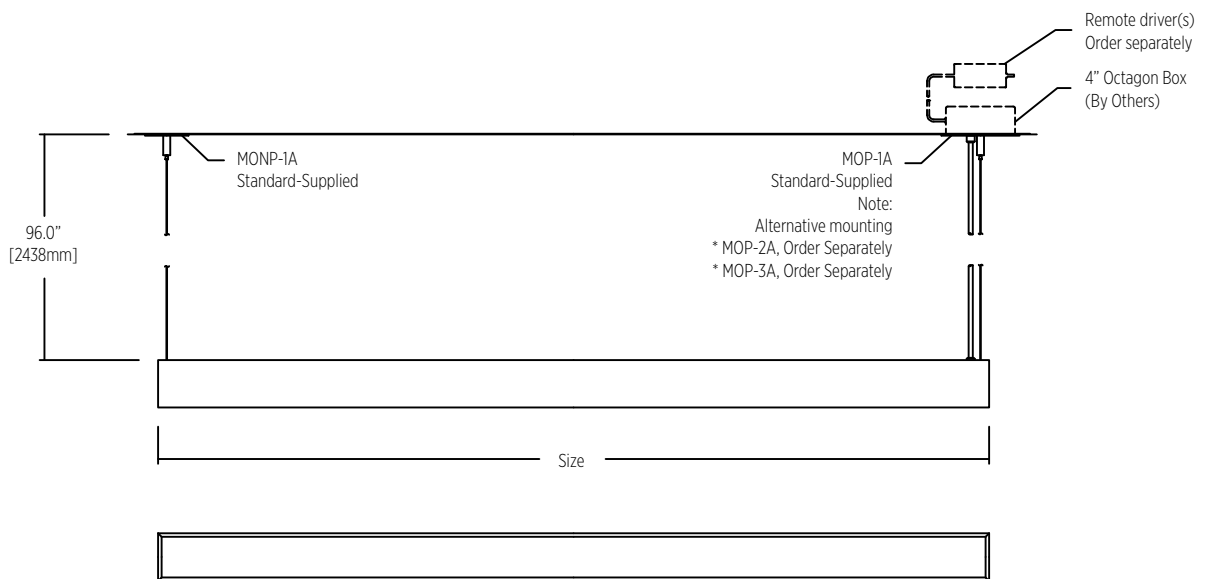
SPECIFICATION SHEET

Aline 70



INSTALLATION TYPE

Straight cables with remote driver



Aline 70

PENDANT



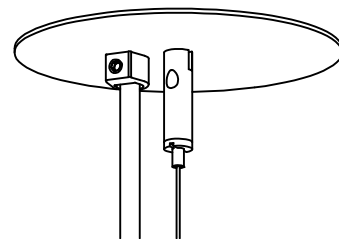
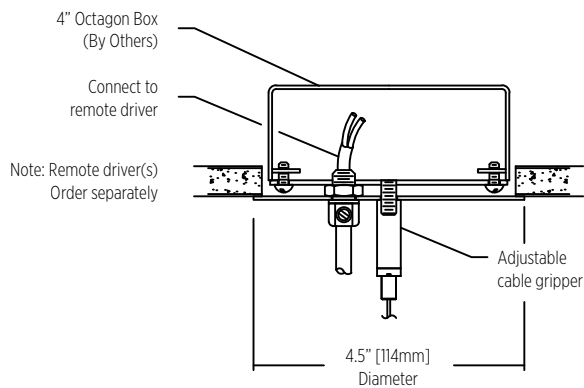
SPECIFICATION SHEET

Aline 70



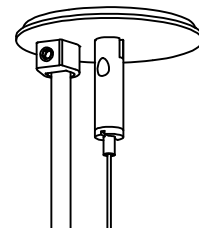
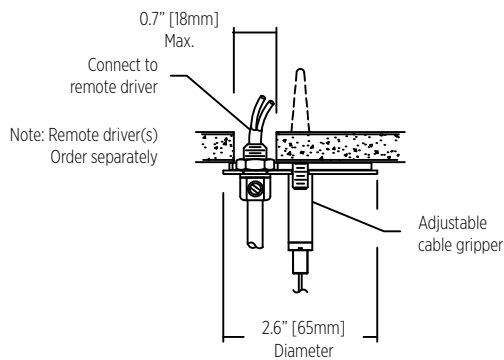
STRAIGHT CABLES MOUNTING OPTION - POWER

MOP-1A Standard - Supplied



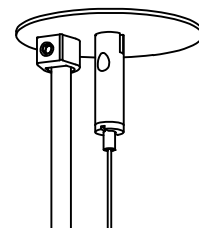
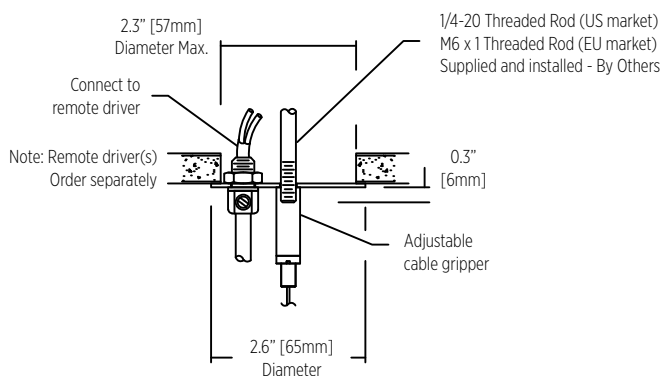
Mounting Option Power 1A
Octagon Box (By Others)
Installed in drywall, wood or concrete ceiling

MOP-2A-1 Order Separately



Mounting Option Power 2A-1
Suspension assembly
Installed in drywall or wood ceiling

MOP-2A-2 Order Separately



Mounting Option Power 2A-2
Suspension assembly
Installed in drywall or wood ceiling

Aline 70

PENDANT

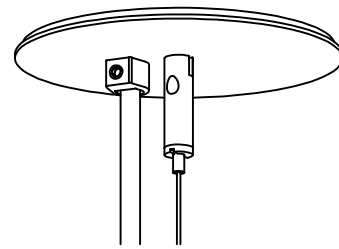
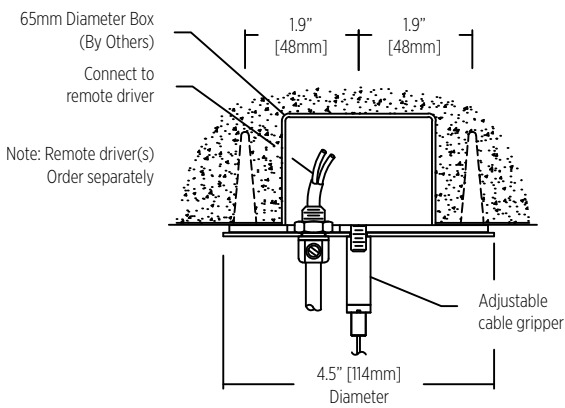


SPECIFICATION SHEET

Aline 70



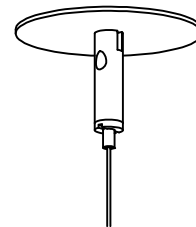
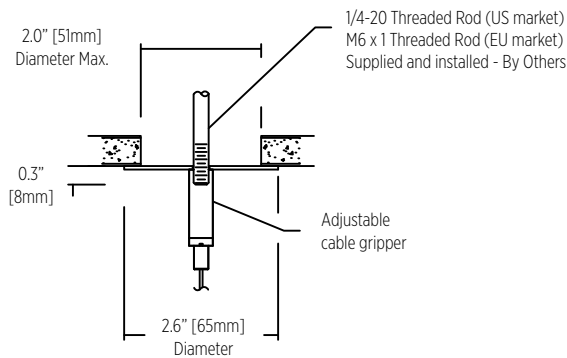
MOP-3A Order Separately



Mounting Option Power 3A
65mm Diameter Box (By Others)
Installed in drywall, wood or concrete ceiling

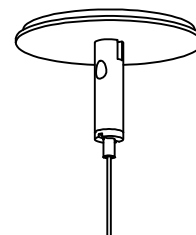
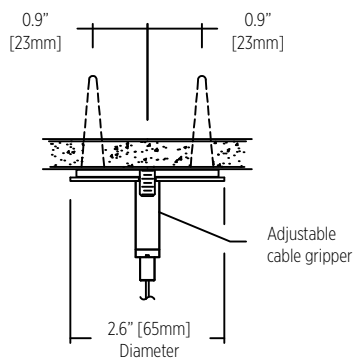
STRAIGHT CABLES MOUNTING OPTION - NON POWER

MONP-1A-1 Standard - Supplied



Mounting Option - Non Power
Threaded Rod installed
to structural ceiling (By Others)

MONP-1A-2 Alternative - Supplied



Mounting Option - Non Power
Suspension Assembly
Installed in drywall, wood or concrete ceiling